

Notes:

1. Consult the RM-60 spec sheet for all details.
2. Supply voltage range 9 - 16 V DC.
3. Standby power consumption 0.5A
4. Max output supply current 5A.
5. Power must be supplied at all times.
6. This Diagram is for a SPIF4 configuration.
7. Distances and speed of actions will vary slightly with tire size.
8. Backup alarm, backup lights or other items when reversing are connected to the yellow wire of the module

Operational Characteristics:

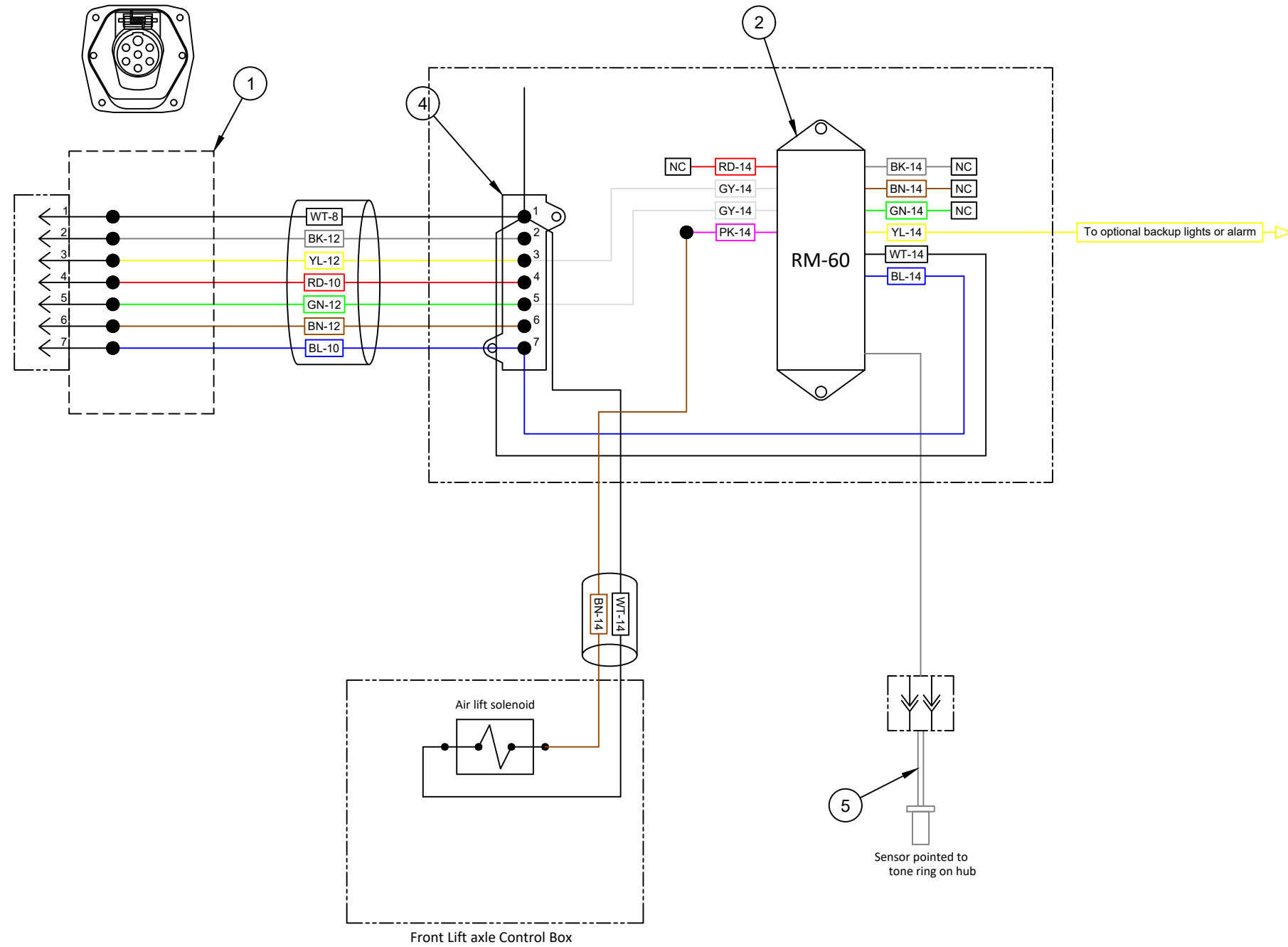
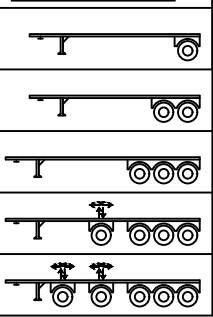
1. Emergency air lift: 4 way flashers ON 3 Sec, OFF 3 Sec, then ON again. Axle will lift and stay lifted if below 60 km/h.
2. Axle steering lock is optional, new systems have the locks pneumatically activated when lifting the axle
3. Both Axles will lift when reversing, will be lowered after 30m of traveling forward.

		Black	Green	Brown	Pink	Yellow
Power Up, ON 1 second	ON	ON	ON	ON	ON	ON
Default before moving	OFF	OFF	OFF	OFF	OFF	OFF
Reverse (8 inches)	6s Delay OFF	6s Delay ON	ON	ON	ON	ON
Stopped	6s Delay OFF	6s Delay ON	ON	ON	ON	ON
Stopped 6 Seconds	OFF	ON	ON	ON	OFF	OFF
Forward (3 Feet) after reversing	ON	OFF	ON	ON	OFF	OFF
Forward 100 Feet after reversing	ON	OFF	OFF	OFF	OFF	OFF
Forward above 60KPH, more than 100 Feet	OFF	ON	OFF	OFF	OFF	OFF
Forward Under 50 KPH	ON	OFF	OFF	OFF	OFF	OFF
Forward Under 50 KPH, 4-Way Flashers ON	ON	OFF	OFF	ON	OFF	OFF
Power OFF / Disconnected	OFF	OFF	OFF	OFF	OFF	OFF

ITEM	QTE	# PIECE	DESCRIPTION
1	1	ELECON0001	15-7609 = SOCKET, NoBRAKER W/NOSEBOX.
2	1	AIRZZZ0006	RM60 = REVERSE-A-MATIC KITw/4way flasher
3	1	ELEWIR0013	50344 = RH TURN MARKER HARNWESS 456", 3-WIRE.
4	1	ELECON0065	210003 = JUNCTION BLOCK 7 TERMINAL
5	1	AIRZZZ0007	RM-200512 = SENSOR FOR RM60 8.5ft

Axle Locks Axle Lift Aux.

Axle Configurations



Color Codes 7 Way Connection (SAE J560)		
WT	White	Ground return to towing vehicle
BK	Black	Clearance, side marker and identification lamps (May be Optional)
YL	Yellow	Left (R/S) turn signal and hazard lamps
RD	Red	Stop lamps and antilock braking system (ABS) (secondary power)
GN	Green	Right (C/S) turn signal and hazard lamp
BN	Brown	Tail and license plate, clearance and/or side marker lamps
BL	Blue	Continuous ABS primary power/auxiliary devices

Symbol Legend	
●	Junction
NC	No Connection
→	Connector
□	Outlines and enclosure

TEMISKO (1983) INC.
91 RUE ONTARIO, NOTRE-DAME-DU-NORD, PQ, J0Z 3B0

Generic RM-60 Wiring Schematic

Fichier :
DESS.: PC Date: 21-03-18

Schematic :
SH0002