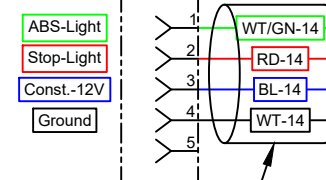
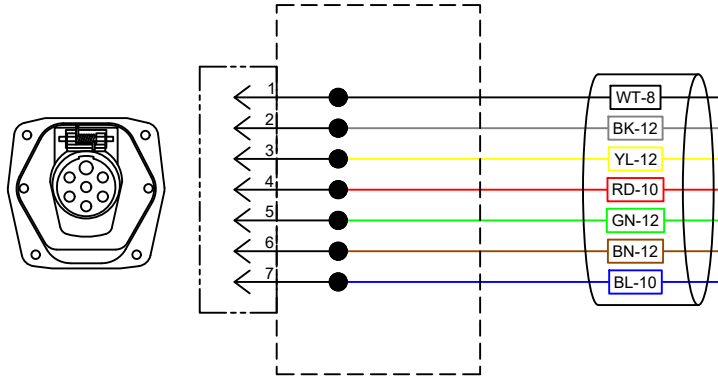
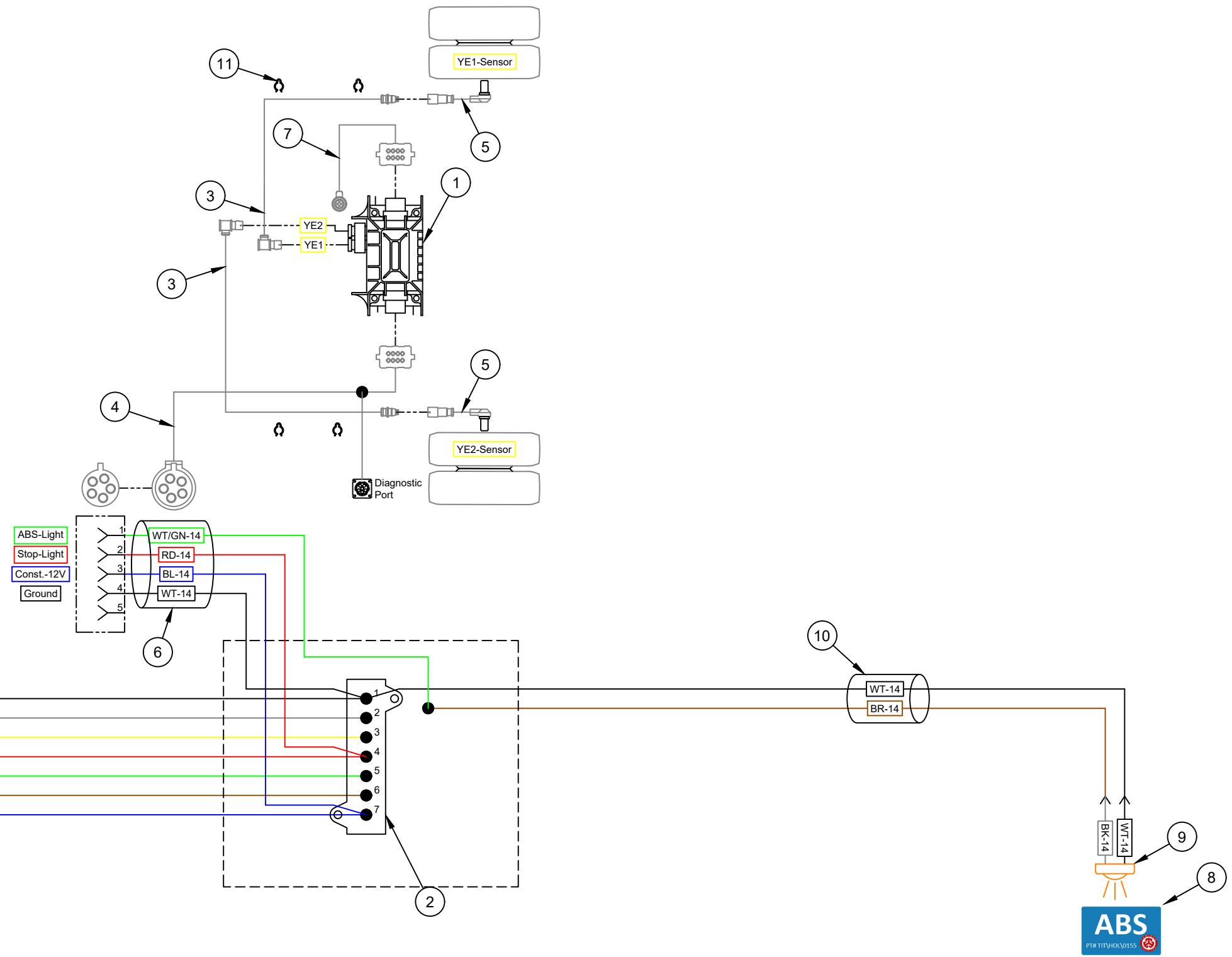
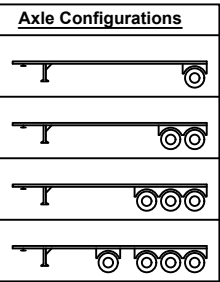


**Notes:**

- 12V Operation
- Constant power must be supplied on the blue wire
- ABS light is ON only when a problem is detected
- Minimum ABS requirements for many axle requirements
- Valve Orientation must be noted because modules are sensitive to this
- Optional equipment is shown
- Sensed axle must not be able to be lifted

ITEM	QTE	# PIECE	DESCRIPTION	
1	1	BRAABS0539	4005001010 = ECU MODULATOR VALVE 2S/1M	
2	1	ELECON0065	210003 = JUNCTION BLOCK 7 TERMINAL	
3	2	BRAABS0517	ABS SENSOR EXTENSION CABLE W/PLUG 16'-5M	
Alternate	3	0	BRAABS0504	ABS SENSOR EXTENSION CABLE W/PLUG 23'-7M
Alternate	3	0	BRAABS0512	ABS SENSOR EXTENSION CABLE W/PLUG 6'-1.8M
Optional	4	1	BRAABS0556	DIAGNOSTIC CABLE ECU 8 PIN 3.3/9.8FT "Y"
Alternate	4	0	BRAABS0516	ABS POWER CABLE 4 CONNECTOR 1.6'-0.5M
Alternate	4	0	BRAABS0521	ABS POWER CABLE 4 CONDUCTOR 3.3'-1M
Alternate	4	0	BRAABS0511	ABS POWER CABLE A CONDUCTOR 9'-3M

ITEM	QTE	# PIECE	DESCRIPTION	
5	2	BRAABS0513	4410328080 = ABS 90 deg SENSOR W/SOCKET 1'	
Alternate	5	0	BRAABS0557	4410329000 = ABS 180 deg SENSOR W/SOCKET 6.6'
Alternate	5	0	BRAABS0197	364094061 = ABS 90 deg SENSOR W/SOCKET 6.6'
6	1	BRAABS0524	PEC4-08 8ft POWER CABLE	
Alternate	6	0	BRAABS0509	PEC4-48 48ft POWER CABLE
Alternate	6	0	BRAABS0523	PEC4-64 64ft POWER CABLE
7	1	BRAABS0530	ABS RELAY VALVE EXTENSION CABLE 1.65'-0.5M	
8	2	TITHOL0155	ABS Sticker 1.1" X 1.78" LG	
9	2	LITUTL0051	33050R = 33 SERIES RED LENS P2. 3/4 MARKER+ GROMET.	
10	2	ELEWIR0007	50303 = MARKER HARNESS 72", 2-WIRE.	
11	6	BRAABS0145	AL920809 = SENSOR WIRE CLIP for 1/2"OD HOSE	



Color Codes 7 Way Connection (SAE J560)		
WT	White	Ground return to towing vehicle
BK	Black	Clearance, side marker and identification lamps (May be Optional)
YL	Yellow	Left (R/S) turn signal and hazard lamps
RD	Red	Stop lamps and antilock braking system (ABS) (secondary power)
GN	Green	Right (C/S) turn signal and hazard lamp
BN	Brown	Tail and license plate, clearance and/or side marker lamps
BL	Blue	Continuous ABS primary power/auxiliary devices

Symbol Legend	
●	Junction
NC	No Connection
→	Connector
⬜	Outlines and enclosure

**TEMISKO (1983) INC.**  
91 RUE ONTARIO, NOTRE-DAME-DU-NORD, PQ, J0Z 3B0

**2S1M Meritor ABS Wiring Schematic**

Fichier :  
DESS.: PC Date: 22-03-06

Schematic :  
**SH0020**