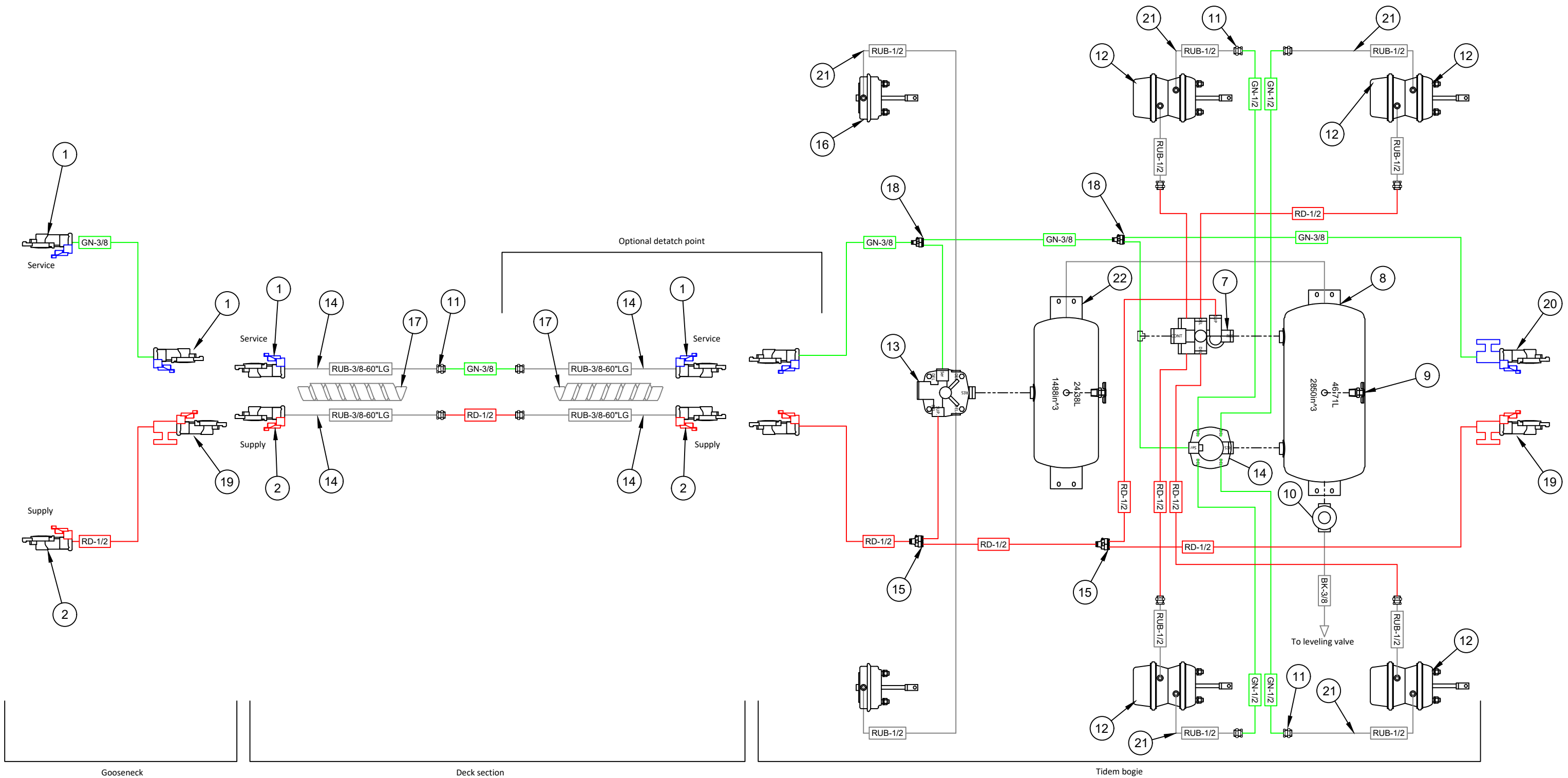


- Notes:**
1. This schematic only applied to trailers with a GVWR over 54 432kg - 120 000lbs. This qualifies the trailer for the "Heavy Hauler Trailer" exemptions on air brakes
 2. Operating pressure between 90 to 120 psi
 3. Air ride circuits are in a separate diagram
 4. Electrical components are in separate diagrams
 5. Schematic shows brake chambers for drum brakes. Disc brakes will have different parts
 6. Rubber hose assemblies to brake chambers will vary with differing installs

ITEM	QTE	# PIECE	DESCRIPTION	ITEM	QTE	# PIECE	DESCRIPTION	ITEM	QTE	# PIECE	DESCRIPTION
1	4	AIRGLA0001	GHS, 12-006 = STRAIGHT GLADHAND, SERVICE BLUE.	11	14	FITAIR0007	FRAME NIPPLE ADAPTER 3/8F 3/8F 1-3/8"L STEEL.	21	0	AIRHOS0056	Rubber DOT air brake tubing 1/2" Dia X 12"LG assy.
2	3	AIRGLA0002	GHE, 12-008 = STRAIGHT GLADHAND, EMERGENCY RED.	12	4	BRATSE0005	TSE3030TN2/1714 = OMNI TEMISKO CUT CAGED	21	0	AIRHOS0057	Rubber DOT air brake tubing 1/2" Dia X 20"LG assy.
3	70	AIRHOS0045	Red Nylon DOT air brake tubing 1/2" Dia	13	1	AIRVAL0053	N4301CB = EMERGENCY RELAY VALVE, O (KN30400, AF) *	21	0	AIRHOS0070	Rubber DOT air brake tubing 1/2" Dia X 24"LG assy.
4	60	AIRHOS0042	Green Nylon DOT air brake tubing 3/8" Dia	14	1	AIRVAL0113	FOUR PORT SERVICE RELAY (4.5) CRACK PRESSURE	21	10	AIRHOS0071	Rubber DOT air brake tubing 1/2" Dia X 30"LG assy.
5	20	AIRHOS0044	Green Nylon DOT air brake tubing 1/2" Dia	15	2	FITPTC0004	KV2U13-00 = 1/2 UNION EN " Y " QUICK CONNECT	21	0	AIRHOS0072	Rubber DOT air brake tubing 1/2" Dia X 36"LG assy.
6	5	AIRHOS0047	Black Nylon DOT air brake tubing 3/8" Dia	16	2	BRATSE0009	TSE30002SC-HNTRX = SIMPLE BOOSTER, INTRAAAX	21	0	AIRHOS0073	Rubber DOT air brake tubing 1/2" Dia X 42"LG assy.
7	1	AIRVAL0064	110800 = SPRING BRAKE CONTROL VALVE	17	8	HYDZZZ0008	1 1/4" Dia Nylon Spiral Wrap Black	21	0	AIRHOS0074	Rubber DOT air brake tubing 1/2" Dia X 48"LG assy.
8	1	AIRTAN0012	46.71L Aluminum Air Tank 12" X 27" 29.5"OAL	18	1	FITPTC0051	KV2U11-00 = 3/8 UNION EN " Y " QUICK CONNECT	21	0	AIRHOS0075	Rubber DOT air brake tubing 1/2" Dia X 60"LG assy.
9	2	AIRVAL0007	240-B, 108-4 = EXTERNAL SEAT DRAIN VALVE 1/4"	19	2	AIRGLA0010	12-310, 9212-8 = SHUT-OFF SERVICE GLADHAND " RED "	21	0	AIRHOS0076	Rubber DOT air brake tubing 1/2" Dia X 72"LG assy.
10	1	AIRVAL0045	WM778A1 =PRESSURE PROTECTION VALVE W/FILTER *	20	3	AIRGLA0009	12-306, 9211-8 = SHUT-OFF SERVICE GLADHAND "BLUE"	22	1	AIRTAN0011	24.38L Aluminum Air Tank 9.5" X 22.5" 27.5"OAL



Color and Abbreviation Codes			Symbol Legend	
BK	Black	Control lines		Tee
RD	Red	Supply and spring brake lines	NC	No Connection
GN	Green	Control and service brake lines	---	Connection line
RB	Rubber	DOT rubber lines		Outlines and enclosure

TEMISKO (1983) INC.
 91 RUE ONTARIO, NOTRE-DAME-DU-NORD, PQ, J0Z 3B0

Detachable Gooseneck Low Bed Air Brake

Fichier :
 DESS.: PC Date: 22-04-03

Schematic :
SH0052